

Wheeleez AccessWalk

TECHNICAL GUIDE



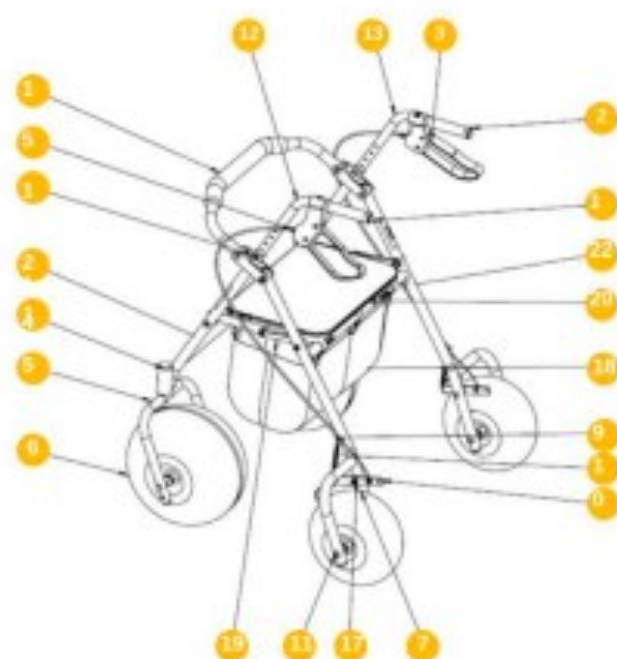
Wheeleez AccessWalk est un déambulateur de plage pour personne à mobilité réduite, idéal pour la promenade sur terrains meubles.

CONTENT

General characteristics	02
Safety	03
Installation	04
Conditions of Use	11
Warranty	12
References	12

GENERAL CHARACTERISTICS

N° Part	Description	Quantity
1	Left handle	1
2	Right handle	1
3	Handbrake and cable	2
4	30 cm swivel castor	2
5	Castor cover	2
6	Wzl-30 polyurethane wheel	2
7	Wzl-24 polyurethane wheel	2
8	Brake arm	2
9	Lower cable adjustment screw	2
10	Spring	2
11	Hardware kit for wheel assembly	2
12	Left handlebar	1
13	Right handlebar	1
14	Handlebar height adjustment screw	2
15	Frame	1
16	Upper cable adjustment screw	2
17	Brake Carrier Assembly Hardware Kit	2
18	Fabric basket	1
19	Folding and locking plate	2
20	Seat	1
21	Front frame	1
22	Back frame	1



Dimensions / Technical information:

- Weight: 10 kg
- Width: 90 cm
- Seat height: 55 cm
- Seat dimensions: 41 cm x 28 cm
- Wheel diameter: 24 cm
- Wheel width: 12.3 cm
- Width between handles: 50.5 cm
- Maximum weight capacity: 120 kg
- Colours: Grey wheels

Materials:

- Frame: Anodised aluminum
- Wheels: Polyurethane
- Handles: Foam





Advantages:

- Wheels ideal for moving on soft grounds
- Safety and comfort brakes on back wheels, padded and folding backrest
- The pleasure of sitting down to enjoy nature
- Foldable: easily transportable
- Hand brakes

Description:

Ideal for walks on several types of grounds (dry and wet sand, grass, soil, gravel, etc), the rollator Wheelleez™ AccessWalk allows people with reduced mobility to move independently.

Its two rear wheels are equipped with brakes which ensure safety for the user.

The Wheelleez™ AccessWalk all-terrain rollator adjusts to each person and allows you to immerse yourself in nature independently. This will make it easier to access various soft grounds.

SAFETY

Read all instructions before using and assembling the Rollator. Make sure your weight is within the safety guidelines for this device (120 kg maximum).

Safety information:

- Wheelleez AccessWalk should not be used as a wheelchair, do not push the walker while someone is sitting on it, or as a transport device.
- Do not use Wheelleez AccessWalk on stairs or on an escalator.
- Consult your doctor before using this device. Make sure you are fit enough to use Wheelleez AccessWalk.
- Fully open Wheelleez AccessWalk and put the seat down before using it.
- The brakes must be locked before sitting on the seat. Do not sit on the seat when the Wheelleez AccessWalk is on an incline. Make sure the brakes are engaged when you get up from a seated position.
- Do not hang heavy objects from the handles as this may affect the stability of Wheelleez AccessWalk.
- Use the transport bag provided to transport objects only (maximum safe load 5 kg). Always remember that a sudden movement of the load can create a brief overload and cause product failure.
- Make sure all 4 wheels are in contact with the ground at all times.
- Do not make any adjustments to Wheelleez AccessWalk while it is in use.
- Wheelleez AccessWalk height is adjustable. Make sure the height of the handle is suitable for your use. Apply light pressure to the handles to check the stability of Wheelleez AccessWalk.

- Check the brakes after adjusting the height of Wheeliez AccessWalk, as the brake cables may need adjustment.
- Check brakes before use. If the brakes do not work, see a qualified technician and do not use the Wheeliez AccessWalk.
- Do not use shoes that are too wide or shoes that can cause your feet to slip.
- Check Wheeliez AccessWalk before each use. If a part shows signs of wear, ask a technician to replace or repair it.
- Inspect and maintain Wheeliez AccessWalk.

General maintenance and cleaning:

We recommend rinsing all components with clean water after each use and before storage, particularly where Wheeliez AccessWalk has been exposed to salt water.

Aluminum frame: we recommend rinsing with clear water after each use. Let Wheeliez AccessWalk dry completely.

If sand or debris has entered between wheels and axles, disassemble, rinse thoroughly and reassemble.

Balloon wheels: we recommend rinsing with clear water after each use. Also check the pressure regularly so that the wheels are always properly inflated.

WHEELIEZ ACCESSWALK MOUNTING


Required tools:

13MM WRENCH
For front swivel wheel, axle nut and bolt (key 4, K and L)



10 MM WRENCH
For handlebar and brake support

8 MM WRENCH
For adjustment of the brake cable



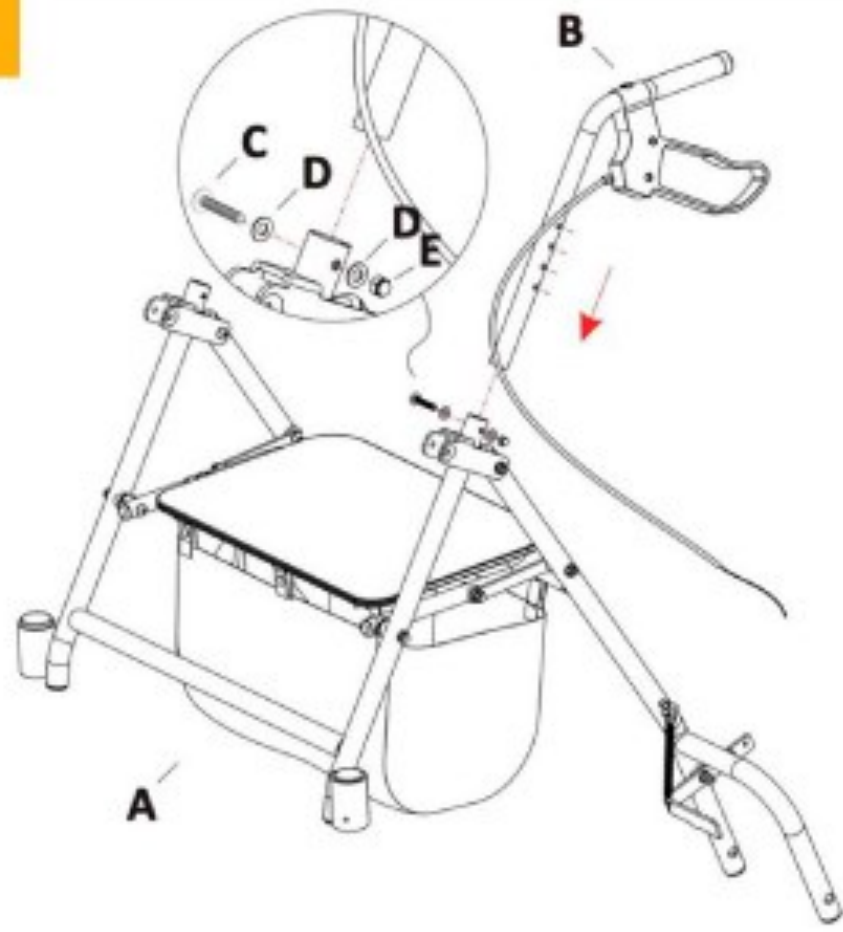
4 MM ALLEN KEY
Attachment of rear wheel and pivot points



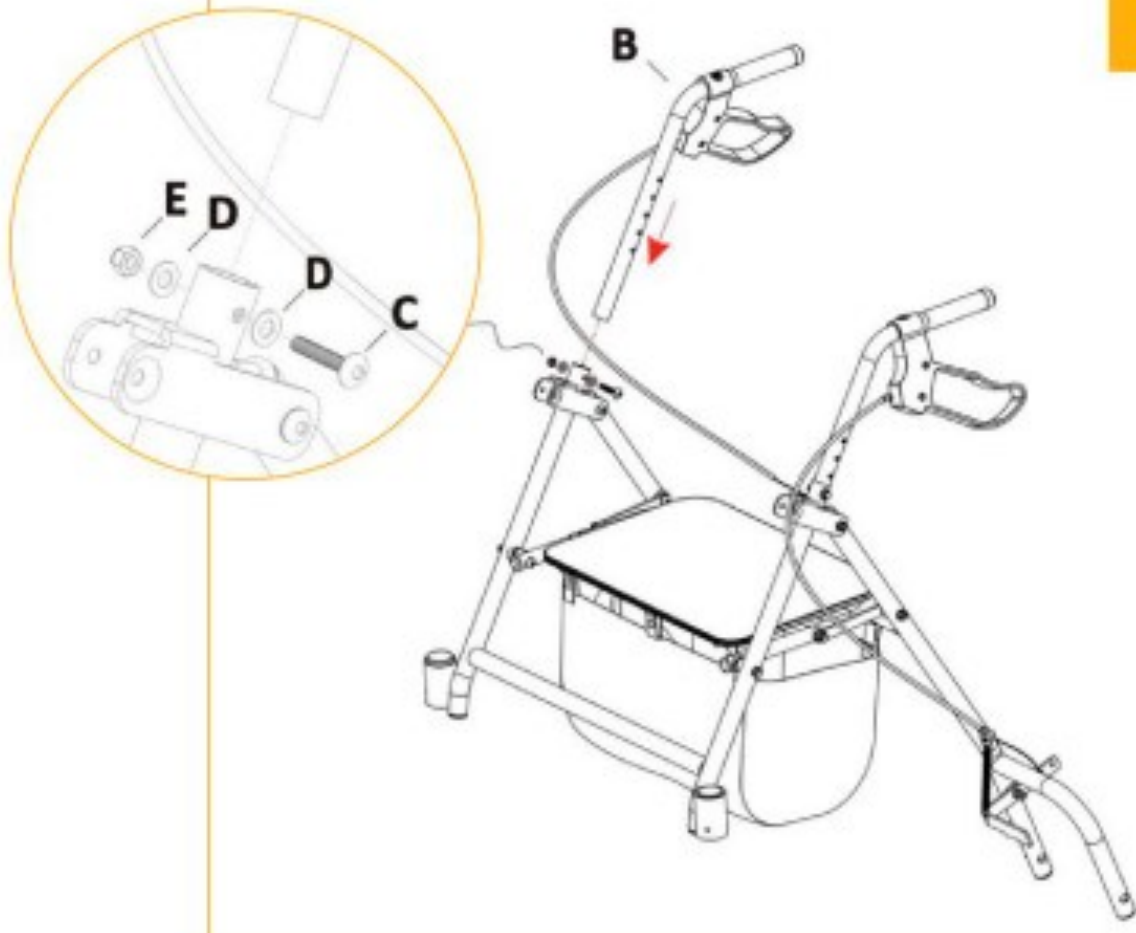
Parts:



1



2



Pièces :



FX1

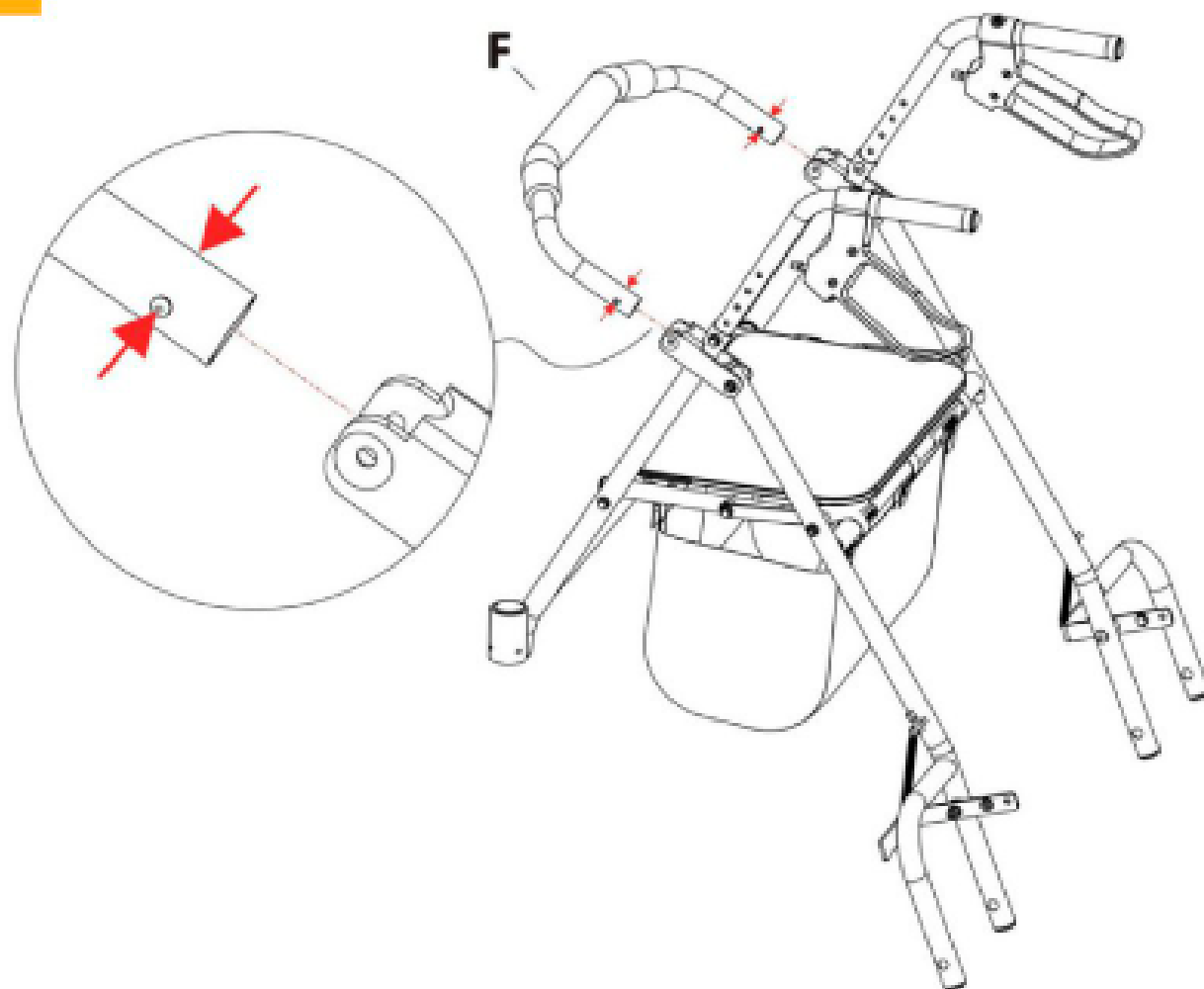


GX2



HX2

3



Parts:



IX4



JX2

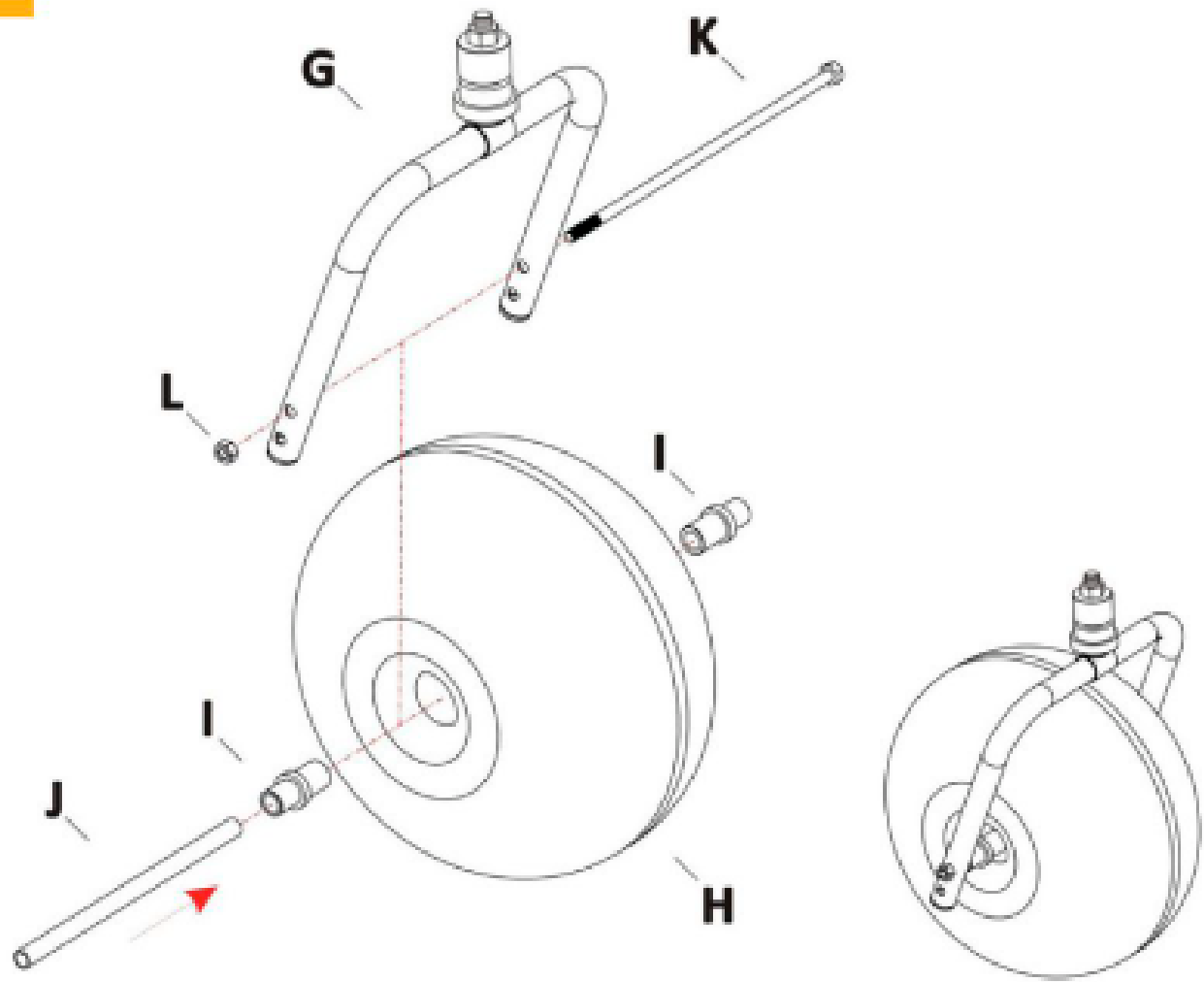


KX2



LX2

4

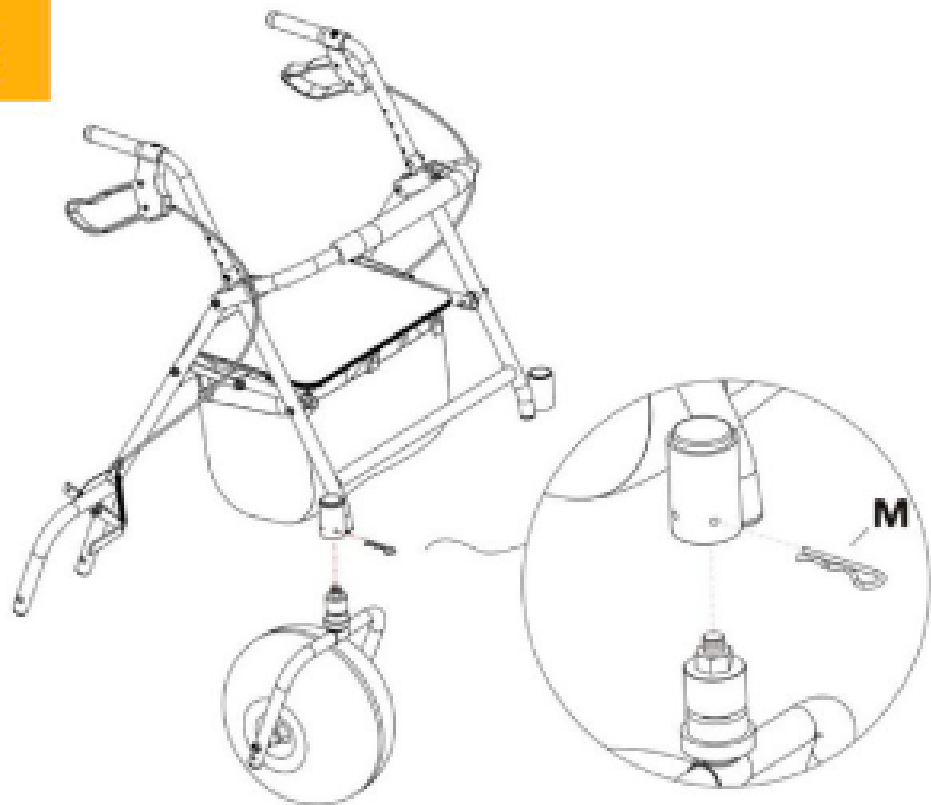


Parts:

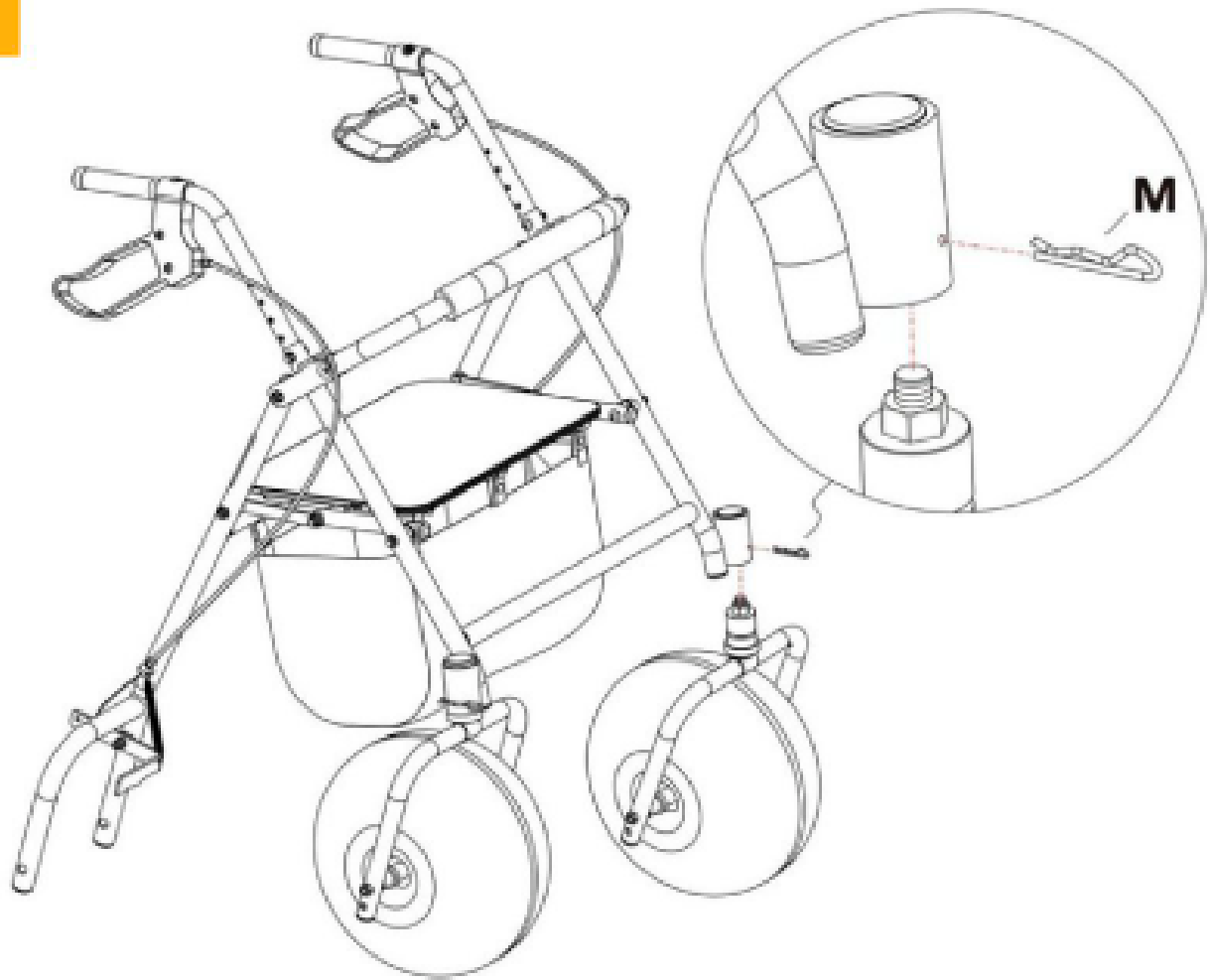


M X 2

5



6



Parts:



NX2

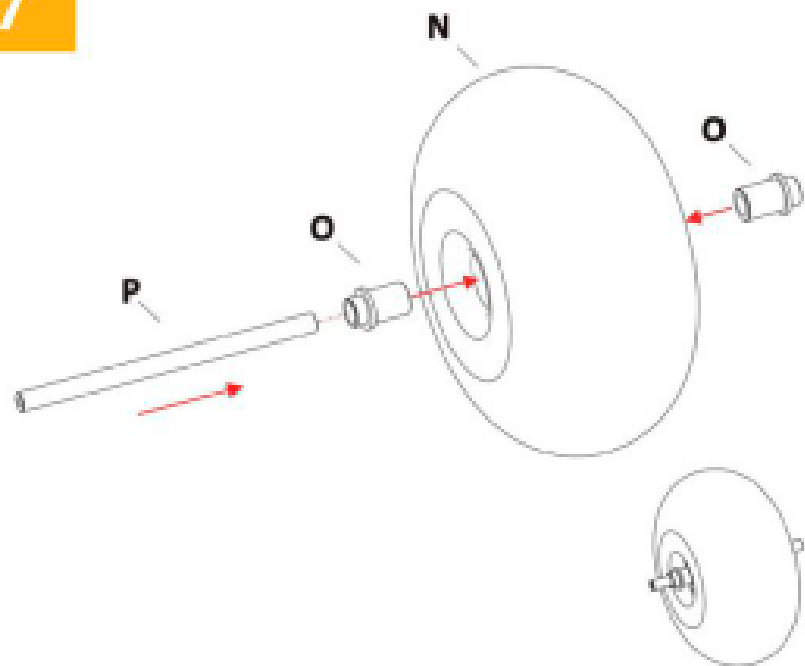


OX4



PX2

7



Parts:

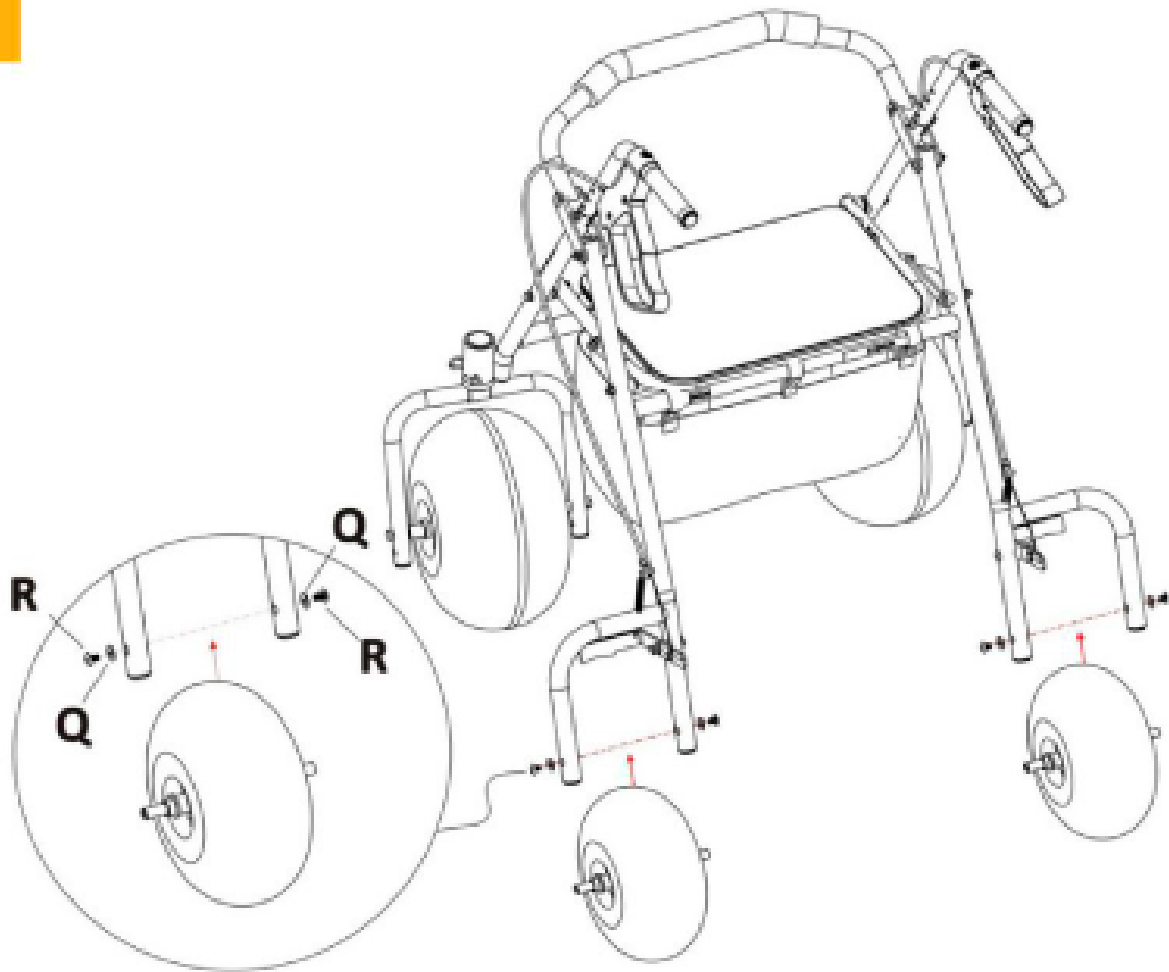


Q X 4



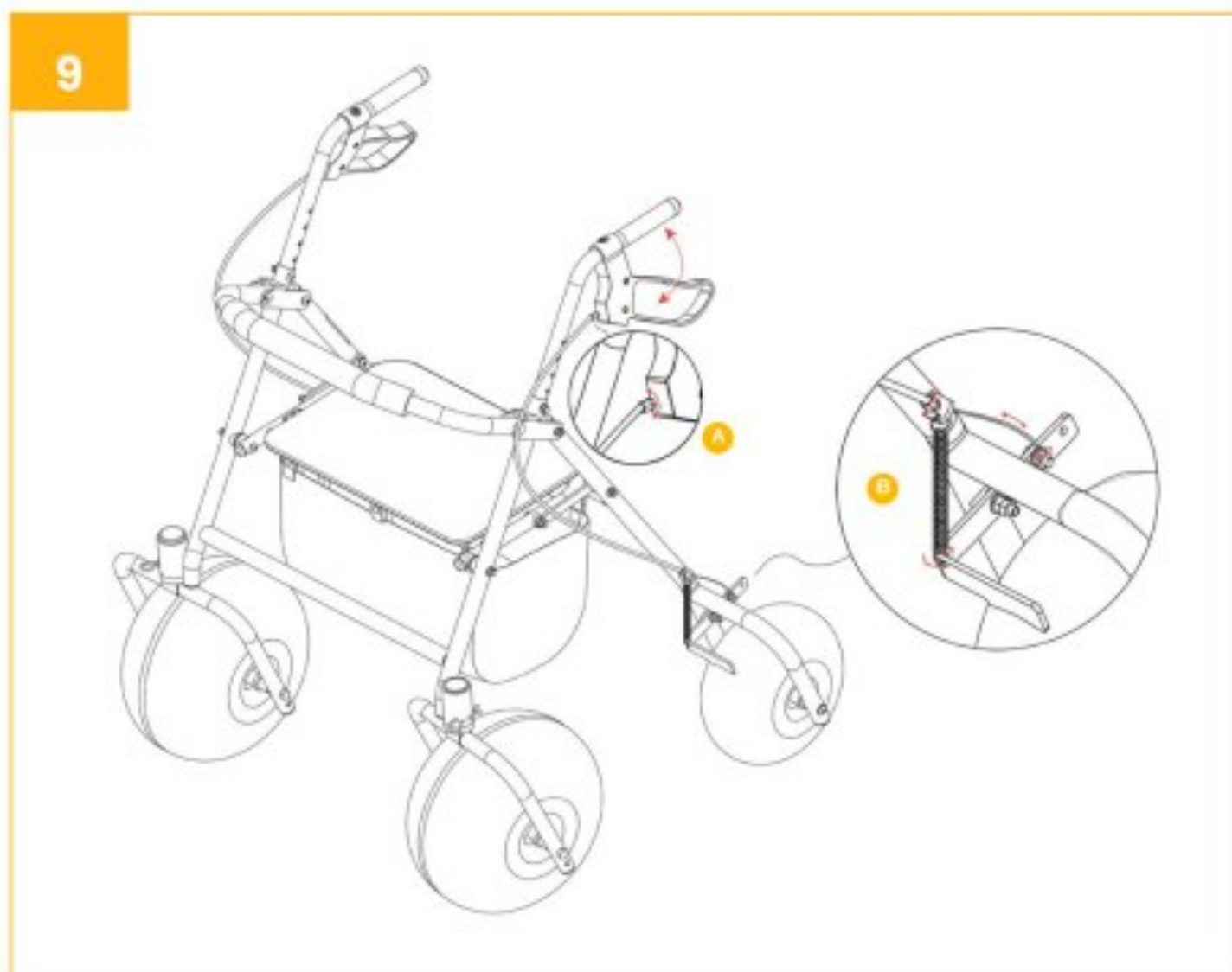
R X 4

8



Brake adjustment steps if necessary:

1. Put both handbrakes in the neutral position. If the handbrakes are locked, pull lightly on both to disengage them.
2. There are two places where the brake can be adjusted.



- A** One of them is where the handle is.

Loosen the nut (circled in red) with a small wrench. Turn the screw clockwise to tighten the brake. Turn the screw counter-clockwise to loosen the brake (in the opposite direction to the first location).

The second location is where the spring attaches to the frame. Loosen the nut (circled in red) with a small wrench.

- B** Turn the screw clockwise to loosen the brake. Turn the screw counterclockwise to tighten the brake.

CONDITIONS OF USE

WALKING USE

1. Fully open AccessWalk and lower the seat.
2. Check handlebar height and brake tension and adjust if necessary before each use.
3. Apply light pressure to the handles to check the stability of AccessWalk.
4. Move AccessWalk regularly; do not push the walker so hard that you lose your balance.
5. Keep your hands on the handles.
6. If you want to slow down or stop, apply both handbrakes at the same time. Don't squeeze only one of the hand brakes.
7. To prevent AccessWalk from rolling, apply both handbrakes until they click. To allow the walker to roll again, lightly pull both hand brakes to disengage them.
8. Press the handbrake to lock the wheel.

SEATING

1. Check brake tension and adjust if necessary before each use.
2. Fully open the rollator, lower the seat.
3. Make sure AccessWalk is on a hard, level surface to prevent it from tipping over and rolling over.
4. To prevent AccessWalk from rolling, lock the brakes before you sit down by pressing both handbrakes until they engage.
5. Slowly step back into AccessWalk until the back of your legs touch the seat.
6. Grasp the handles firmly and sit down on the seat.
7. Do not move AccessWalk while seated.
8. Do not lean on the backrest while seated.
9. To stand up, make sure the handbrakes are still engaged, firmly grasp the handbrakes handles and use your arms to help you get up.
10. Pull the seat section to fold the rollator.

WALKING AID

AccessWalk is designed to help you walk by grasping both hands on the handles and walking slowly. Do not put all your weight on the walker.

FOLD YOUR WHEELEEZ ACCESSWALK

The best way to fold the walker is to pull on the seat part. If more compact storage is needed:

- A. Turn the backrest upright.
- B. Remove the height adjustment hardware kit and fold the handlebars 90 degrees inwards.
- C. Pull up the seat section to fold down AccessWalk.

WARRANTY

Accessrec Europe offers a two (2) years warranty starting at the date of your Purchase Order. This warranty only covers manufacturing and material defects of the product, only for the frame. The warranty does not apply to textiles, armrests or tires. Alterations related to normal use are not considered as manufacturing defects. Damages caused by vandalism are not covered by the warranty. Any warranty limitations will be assessed by AccessRec Europe.

The warranty does not cover:

- The normal use of Wheeleez AccessWalk
- Improper care, operation, maintenance and storage of Wheeleez AccessWalk
- An accident or natural disaster
- Modifications that have been made to Wheeleez AccessWalk without written consent of Accessrec Europe
- Repairs that have been made without written consent of Accessrec Europe

This warranty does not cover any labor or shipping charges that may be required if the Aquaaccess Free frame needs to be replaced or repaired. If you are not satisfied with the conditions provided or the repairs that have been made, please contact AccessRec Europe directly. Products cannot be returned without the consent of AccessRec Europe.

The two (2) year warranty is only applicable to the original purchaser.

REFERENCES

